

## MV “Sea Melody“



EMS Shipmanagement GmbH & Co. KG  
Hafenstraße 15  
26789 Leer - Germany

Phone + 49 (0) 491 928 15 - 5  
Fax + 49 (0) 491 928 15 - 99  
[info@ems-shipmanagement.com](mailto:info@ems-shipmanagement.com)

# MV “Sea Melody”

## General

Type	General cargo vessel
Built	Jan. 2002, Damen Bergum
Class	RINA
IMO no.	9195638
Flag	Barbados
Port of registry	Bridgetown
Call sign	8PBC6

## Dimensions

Length o.a.	88.78 m
Breadth	12.50 m
Draught	Summer 5.425 m / Winter 5.312 m
Air draft	FM Keel 24.80 m
Gross tonnage / Net tonnage	2545/1460
DWAT	Summer 3779.37 t / Winter 3659 t

## Machinery/Speed

Main engine	MAK 8M20	1520 kW
Generator(s)	SCANIA D9	260 kW
Fuel specification	MGO	
Bow thrusters	VETH-JET 2-K-12	220 kW
Capacity	Ballast water abt.	1384 cbm
	MGO abt.	210,5 cbm
	Freshwater abt.	54 cbm (2 tanks)

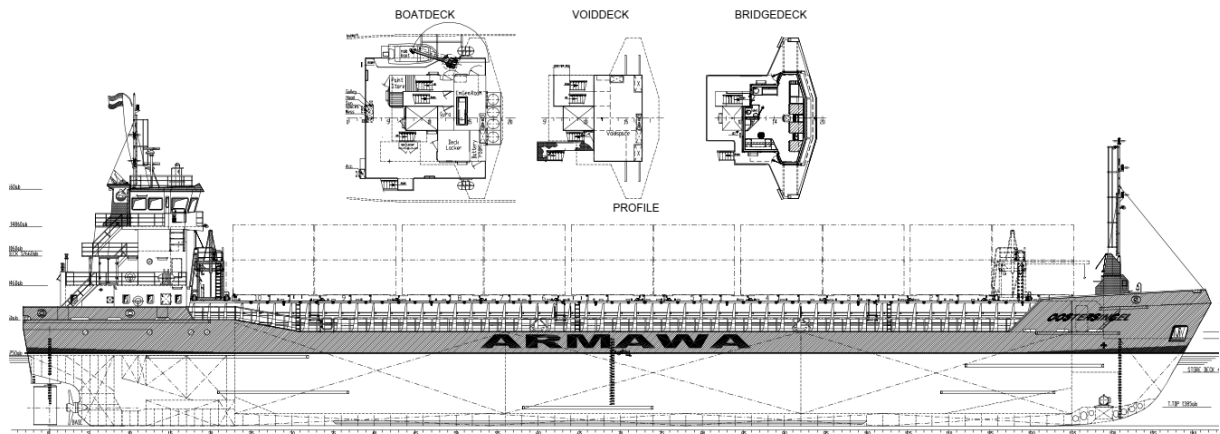
# MV “Sea Melody”

## Hold/Hatches

One hatch	61.66 m x 10.12 m
One hold	61.66 m x 10.12 m x 8.43 m
Strength on main deck	1,3 t/sqm
Strength on tank top	12.54 t/qm
Container capacity	Hold 113 TEU / Hatch 80 TEU
Reefer plugs	n/a
Hatch cover type	Pontoon type (gantry crane)
Grain / Bale	185331 cbft / 5248 cbm

## Cargo features

Hold ventilation	yes
Dangerous cargo	Yes – according to certificate



All details given in good faith, but not guaranteed.